



HNT-1402-1FMFS-T-X6R Series Industrial Media Converter

Warning

HNT-1402-1FMFS-T-X6R series is an electric device. For safety reason, please follow the guideline to transport, store, operate and maintain.

- ✓ Please read this quick installation guide before connecting cables.
- ✓ The product does not have any parts can be replaced by users. If the unit broken or not working, please disconnect from the power source and apply RMA for return.

Application

- ✓ Please follow the product datasheets and quick installation guide for application.
- ✓ Please operate the product within the range that product specification defines.

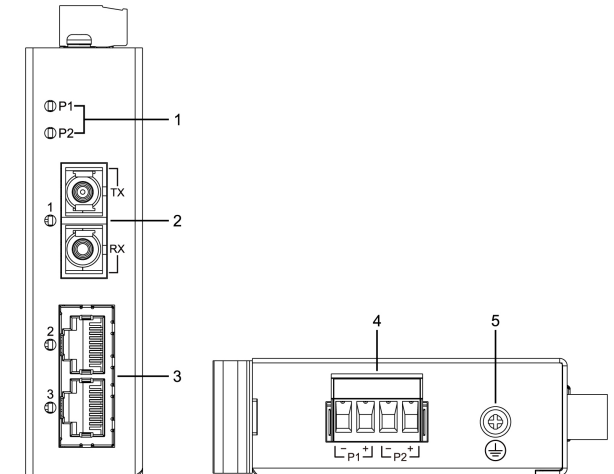
Enclosure

- ✓ Please do not open the housing unless authorized by Subject Link Inc.
- ✓ Please do not use any sharp object to insert into the unit or power terminal. Do not touch the power terminal.

A. Product Introduction

HNT-1402-1FMFS-T-X6R provides data transmission between 10/100BaseT and 100BaseFX (SC/ST connector). It provides 2 ports of 10/100Base T and 1 port of 100Base FX. It also support dual power input, operating wide temperature(-40 至 75°C) and IP40 housing for industrial harden environment

B. Connectors

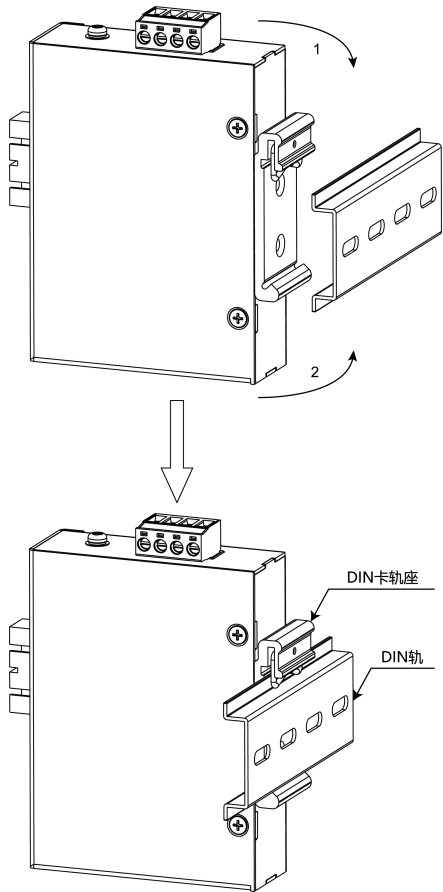


1	Power indication
2	SC/ST fiber port
3	RJ45 copper ports
4	Power terminal
5	Grounding screw

C. Installation

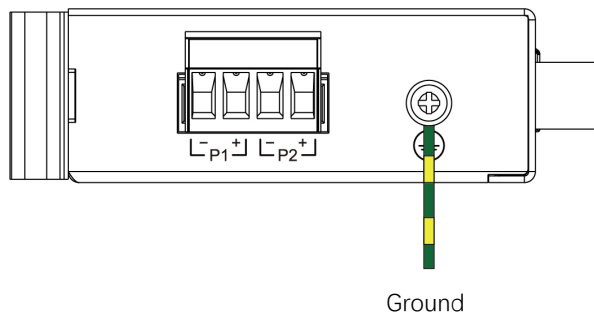
Din Rail Installation

Put the product on the din rail by the upper part of din rail clip. Move up and turn a bit to make the bottom of din rail clip clicked on the rail as the below shown.



Grounding

Fasten the grounding cable on the grounding screw and make sure the connection is good to the ground.



Power

Make the power cable connect correctly to the terminal. Support 2 power inputs and voltage range: 12~36V.



Note:

Power wire gauge more than 0.75mm² (Max. 2.5mm²); Ground resistance: <math><5\Omega</math>.

Warning

Electric Shock

Please follow the power requirement in datasheet. Please do not use sharp object such as screw driver or wire to insert to the unit. Do not touch the power terminal.

It could cause injury or death if not following the power requirement.

Insert corresponding ports.

Insert the cable into corresponding RJ45 port and the corresponding LED should be lit up. Insert the fiber cable into the fiber ports and corresponding LED should be lit up.

D. LED

LED	Status	Meaning
P1, P2	Green	Power Up
	Off	No Power
L1~L3	Green	Link
	Blinking	Data transmission
	off	No connection

E. Port Definition

10/100Base-T(X) Ethernet Port Connection

10/100Base-T(X)								
Pin	1	2	3	4	5	6	7	8
Signal	Tx+	Tx-	Rx+	-	-	Rx-	-	-

Fiber Port Connection

Fiber port is SC or ST connector. Connect TX to RX and RX to TX with another end of device.

Sbjlink Support and Services

Please report your questions or issues to your local distributors or email to support@sbjlink.com