

RPT-1005-1FS-SC-T-X6R | Industrial 5-Port Unmanaged FE Switch



FEATURES

- 4x 10/100Base TX RJ45 Port
- 1x 100FX Fiber Port (SC Connector)
- Dual 12-48 VDC power input
- IP40 metal housing
- Compact and Slim design
- Operating temperature -40~75 degree C

DESCRIPTION

RPT-1005-1FS-SC-T-X6R has 4x 10/100 base RJ-45 ports and 1x 100FX SC fiber port for your industrial applications. It was designed to work in the industrial environment, compliant with CE, FCC, and RoHS standards. RPT-1005-1FS-SC-T-X6R provides two redundant 12-48 VDC power inputs that can be connected simultaneously to wide-range power sources. If one of the power inputs failure, the other live source acts as a backup to provide the power needs automatically. Reverse and short circuit protection design is to protect the switch from misusing the power connection accidentally.

It's also design in slim and compact size. The dimension RPT-1005-1FS-SC-T-X6R is 33(W)*130(H)*92(D) mm. Its compact size makes it a good fit for the factory automation and industrial control application.

RPT-1005-1FS-SC-T-X6R | Industrial 5-Port Unmanaged FE Switch

SPECIFICATIONS

Technology	
Standards	IEEE802.3, 802.3u, 802.3x
Processing Type	Store and Forward
Flow Control	IEEE802.3x flow control, backpressure flow control
Interface	
RJ-45 Ports	4x 10/100BaseT(X) auto negotiation speed
	Full/Half-duplex mode, and auto MDI/MDI-X connection
Fiber Port	1 x 100 FX SC Fiber port
LED Indicators	Power, 10/100M
Power	
Input	12~48 VDC, Dual inputs
Consumption	3 Watts Max
Max current	0.25A @12VDC
Connector	Removable 4-pin Terminal Block for power input
Reverse Polarity Protection	Present
Environment	
Operating	-40°C ~ 75°C
Storage	-40°C ~ 85°C
Ambient Relative Humidity	5%~95% non-condensing
Physical	
Housing	IP40 protection, metal housing
Dimension	30mm x 130mm x 92mm (W x H x D)
Weight	< 1kg

RPT-1005-1FS-SC-T-X6R | Industrial 5-Port Unmanaged FE Switch

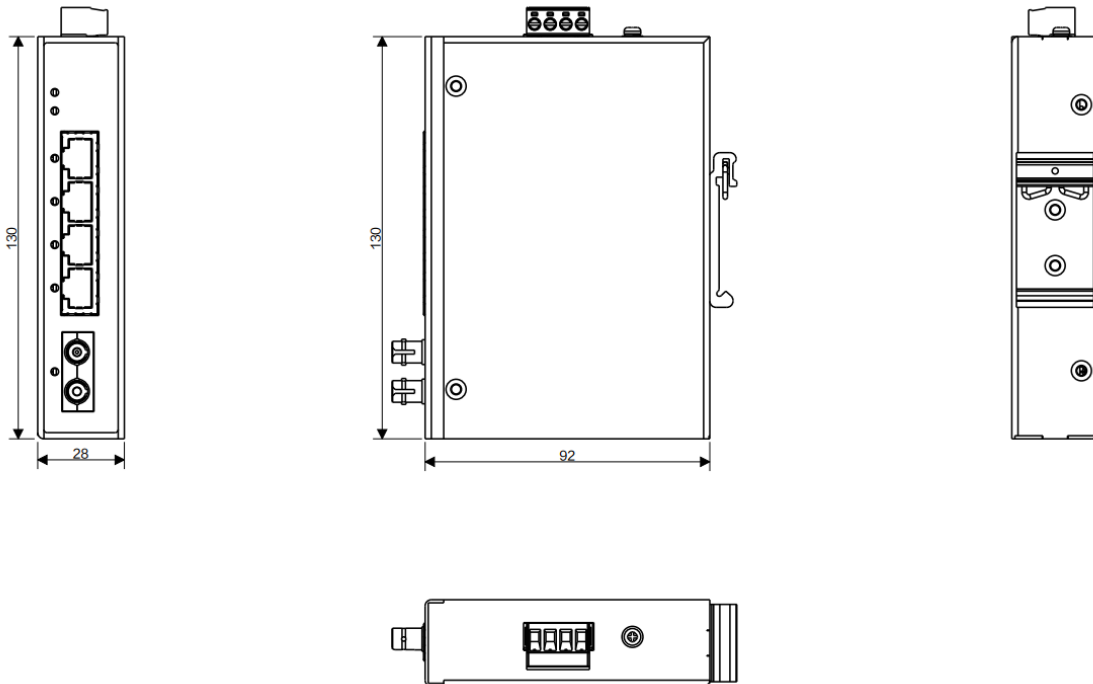
SPECIFICATIONS

Approval	
FCC(EMI)	FCC Part 15. CISPR(EN55022) class A
CE(EMI)	EN 55022:2010/AC:2011 Class A EN 61000-3-2:2014
	EN 61000-3-3:2013
CE(EMS)	EN 55024:2010
	(IEC 61000-4-2:2009 6KV(contact), 8KV(air)
	IEC 61000-4-3:2006 10V/m(80MHz~1GHz)
	IEC 61000-4-4:2012 Power Port: 2KV,Data Port: 1KV
	IEC 61000-4-5:2006 Line-to-line:1KV, Line-to-ground:2KV
	IEC 61000-4-6:2009 10V(150KHz~80MHz)
	IEC 61000-4-8:2010
	IEC 61000-4-11:2004
Vibration	IEC 60068-2-6
Shock	IEC 60068-2-27
Free Fall	IEC60068-2-32
RoHS	Lead(Pb) Free
MTBF	560,000 hours

RPT-1005-1FS-SC-T-X6R | Industrial 5-Port Unmanaged FE Switch

DIMENSIONS

Unit: mm



ORDERING INFORMATION

Model Name	Description
RPT-1005-1FS-SC-T-X6R	<ul style="list-style-type: none"> - 4x 10/100T(x) + 1x 100F(x) SFP Slot - Operating Temperature: -40°C ~ 75°C - 12-48VDC dual power input