



### FEATURE HIGHLIGHTS

- LoRa Wireless data link provide stable data stream.
- Wide voltage operation for Industrial applications
- High output RF Power and high sensitivity provide more than 40KM transmission distance
- Multi-Interface support RS-485 / RS-232
- AUX Power output for general purpose such as plug-in sensor, or other sub system
- Software setting function such as Frequency / ID / P2P / Group / Broadcast / Power output

### SPECIFICATIONS

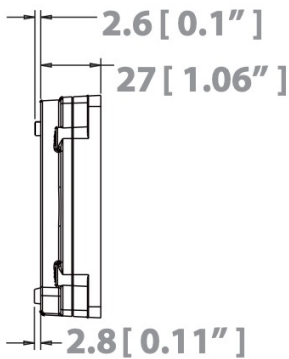
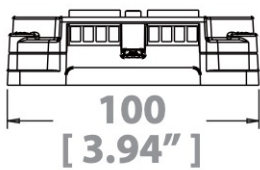
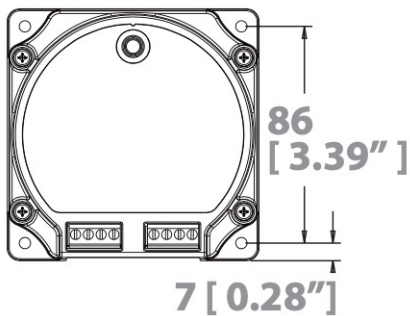
Air Stream Protocol	LoRa Wireless Protocol
Operating Frequency Range	410 ~ 525MHz / 862 ~ 1020MHz (According to the local regulatory compliance.)
Sensitivity	Up to -136dBm@SF=7 / 10.4K bandwidth
Transmit RF Power	Maximum 2W
Interface	RS-485 x 1 / RS-232 x 1
RS-485 Protocol	Modbus RTU
Serial Interface Baud Rate	1200bps / 2400bps / 4800bps / 9600bps / 19200bps / 38400bps / 57600bps / 115200bps / 230400bps
Operating Temperature	-40°C ~ 85°C
Topology	Broadcast / Group / Peer to Peer
Main Unit Dimensions	10 x 10 x 4.8 cm (Not include antenna)
Weight	140 g
Input Power Supply	12V ~ 30V DC / 1A
Output Power Supply	5V DC / 200mA (Max.)
Power Consumption	24V 15mA @868 / 920MHz receive, 24V 400mA @868 / 920MHz transmit 2W
Special Specification	Flame Retardant

**ORDERING INFORMATION**

Model name	Description
WB-3628	LoRa / RS485 & RS232 Gateway, IP68

**DIMENSIONS**

Unit: mm [in]



**Antenna →**  
 ANT 433MHz RP-SMA  
 ANT 868MHz RP-SMA  
 ANT 915MHz RP-SMA

